

Energy products

Gas staging valve C327875

One-inch port, 125 vdc,
solenoid actuated (SA)



Meggitt's one-inch poppet style gas fuel staging valve is in use on a variety of industrial gas turbine engines. Millions of field operating hours continue to prove the high reliability of Meggit design technology.

Specifications

Type:	Normally open, poppet, solenoid actuated, 125 VDC
Function:	Fuel gas flow shutoff for aero-derivative turbine engines
Physical size:	3.57" wide, 3.57 deep, 12.04" high
Weight:	26 pounds maximum
Line pressure:	0 to 560 psia
Fluid temperature:	-40 to 300°F
Ambient temperature:	-40 to 300°F
Performance:	
Pressure drop:	7.5 psid at 495 psia, 150°F and 840 pph
Internal leakage:	0.1 pph maximum at all operating conditions
Operating time:	150 msec maximum full stroke response to fully open or fully closed position
Electrical:	
Solenoid:	Continuous duty, 125 VDC nominal (95 to 140 VDC), 1 ampere maximum
Closed position indicating switch:	10 to 32 VDC, 3-wire, SPDT
Electrical connector:	M83723/83G1407N

Key features

- Normally open, fail open
- Closed position indicating switch circuit
- 150 msec full stroke response time, open or close
- High temperature poppet seal
- Used on both DLE and SAC turbine engines
- Non incendiary design, CSA/UL certified for NEC class 1, division 2, group D, temp code T2C.
- All stainless steel valve and body materials for NACE compliance
- No maintenance required under normal conditions

Meggitt Control Systems

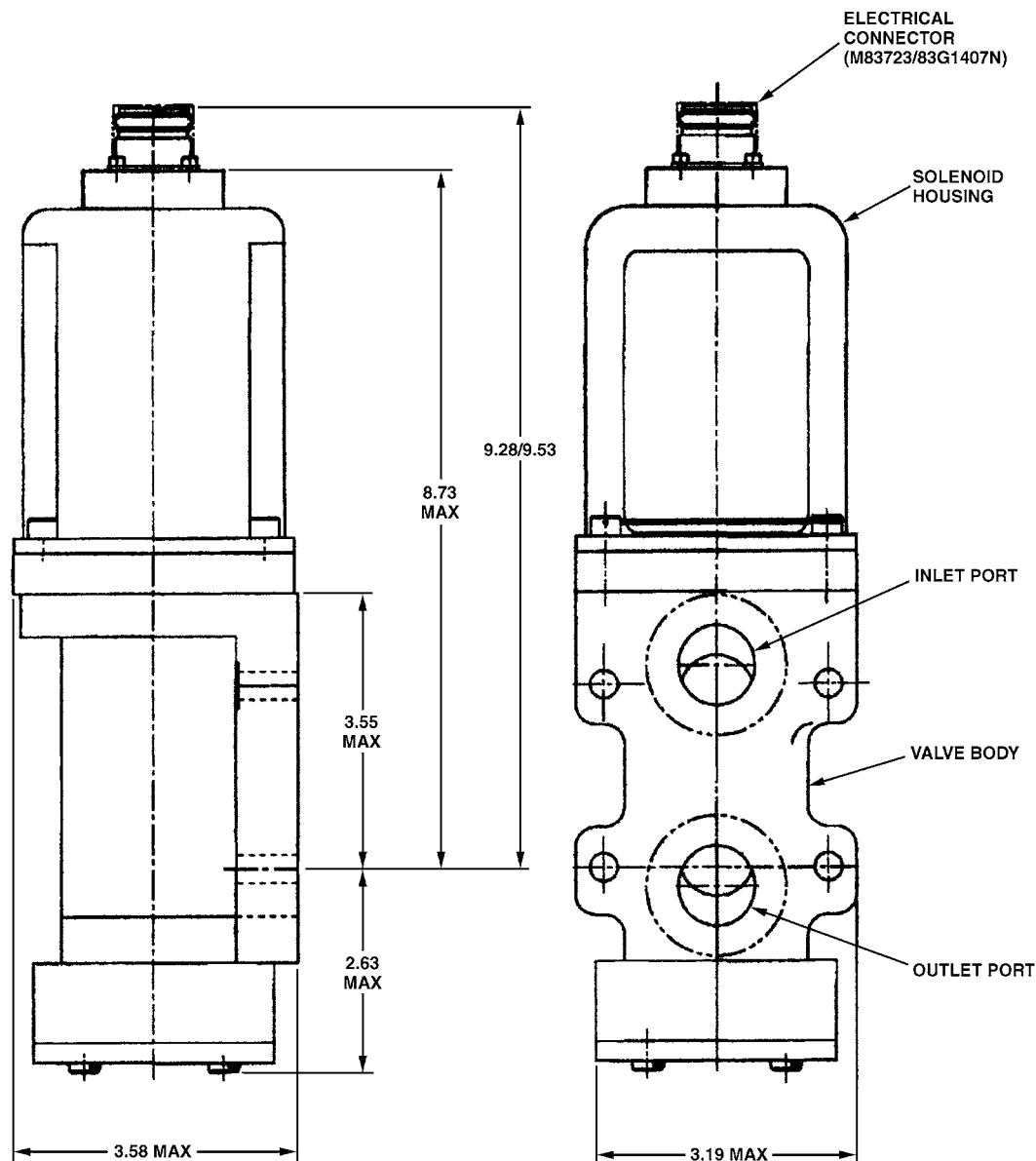
Our product competencies & services:
Aerospace valves | Thermal management solutions | Environmental control systems | Electro-mechanical products
Ground fueling products | Energy products | Aftermarket services

MEGGITT
smart engineering for
extreme environments

Energy products

Gas fuel staging valve C327875

Key dimensions



NOTE: ALL DIMENSIONS SHOWN ARE IN INCHES.

Contact

Meggitt Controls

12838 Saticoy St
North Hollywood
California 91605-3505
USA

Telephone: (818) 765-8160
FAX: (818) 759-2194

www.meggitt.com

Meggitt Control Systems

Our product competencies & services:
Aerospace valves | Thermal management solutions | Environmental control systems | Electro-mechanical products
Ground fueling products | Energy products | Aftermarket services

MEGGITT
smart engineering for
extreme environments