

Energy products

Gas staging valve C329245

One-inch tube size, 95 to 140 vdc,
solenoid actuated (SA)



Meggitt's one-inch poppet style gas fuel staging valve is in use on a variety of aero-derivative industrial gas turbine engines. With millions of field operating hours, this design continues to prove the high reliability of Meggitt technology.

Specifications

Function:	Gas fuel burner staging for aero-derivative turbine engine control
Type:	Two position, normally open, poppet, solenoid actuated
Physical size:	3.50" x 4.53" x 12.3" high
Weight:	26 pounds
Fluid connection type:	1" pipe, GE J534P58
Line pressure:	0 to 560 psia
Fluid temperature:	0 to 300°F maximum
Ambient temperature:	20 to 300°F
Performance:	
Operating speed:	Less than 150 msec full stroke response
Internal leakage:	0.1 pph maximum at all operating conditions
Pressure drop:	6.0 psid at 194 psia, 75°F and 360 pph air flowing through a single fitting
Electrical:	
Solenoid:	95 to 140 VDC, 1 ampere maximum
Position indicating switch:	10 to 32 VDC, SPDT
Electrical connector:	M83723/83G1407N

Key features

- Fail-safe open (de-energized)
- Closed position indicating switch circuit
- 150 msec full stroke response time
- Used on both DLE and SAC turbine engines
- Non incendiary design, CSA/UL certified for NEC class 1, division 2, group D, temp code T2C
- All stainless steel valve and body materials for NACE compliance
- No maintenance required under normal conditions

Meggitt Control Systems

Our product competencies & services:
Aerospace valves | Thermal management solutions | Environmental control systems | Electro-mechanical products
Ground fueling products | Energy products | Aftermarket services

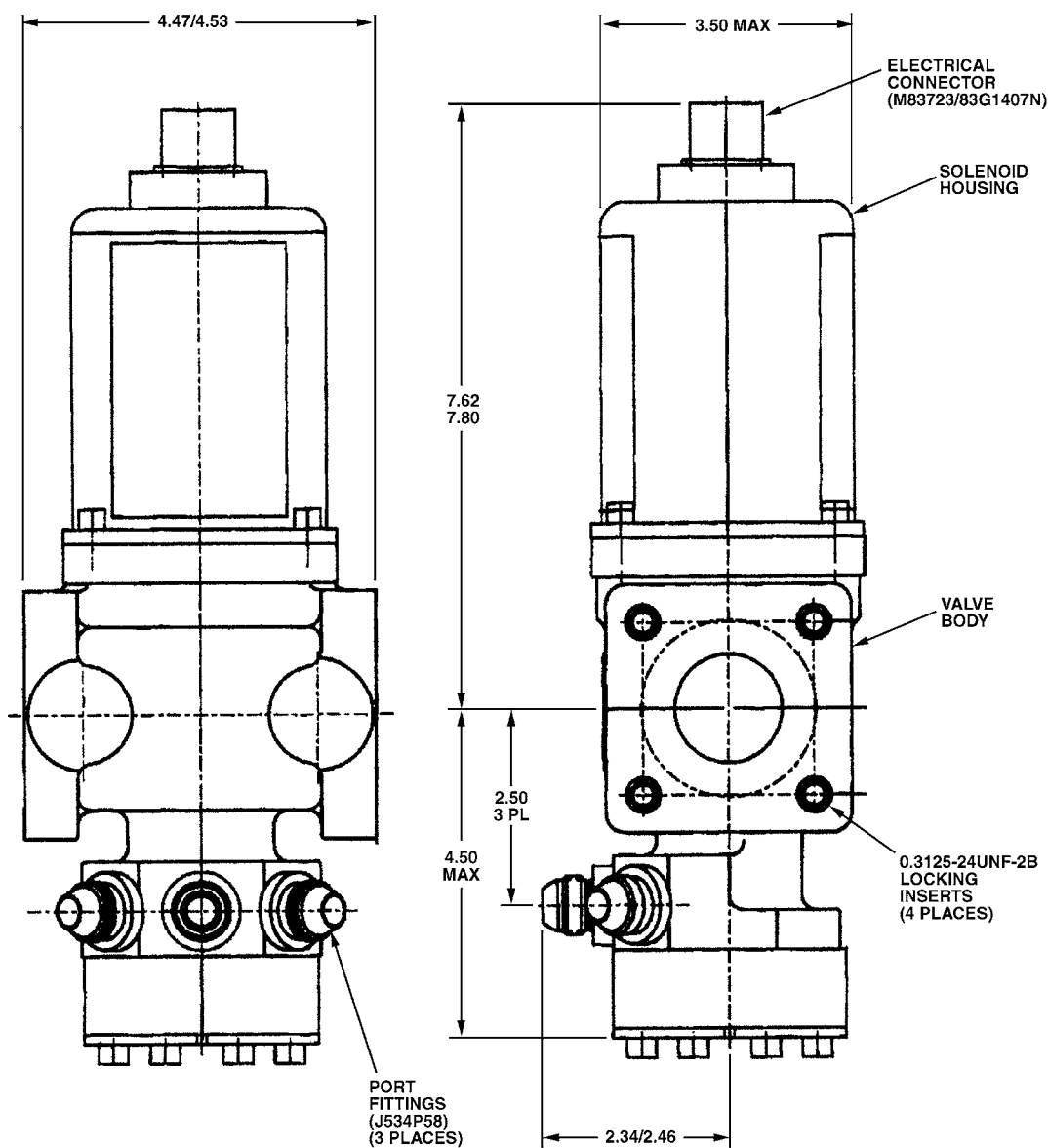
MEGGITT
smart engineering for
extreme environments

Energy products

Gas staging valve

C329245

Key dimensions



NOTE: ALL DIMENSIONS SHOWN ARE IN INCHES.

Contact

Meggitt Controls

12838 Saticoy St
North Hollywood
California 91605-3505
USA

Telephone: (818) 765-8160
FAX: (818) 759-2194

www.meggitt.com

Meggitt Control Systems

Our product competencies & services:
Aerospace valves | Thermal management solutions | Environmental control systems | Electro-mechanical products
Ground fueling products | Energy products | Aftermarket services

MEGGITT
smart engineering for
extreme environments